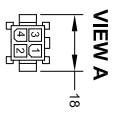
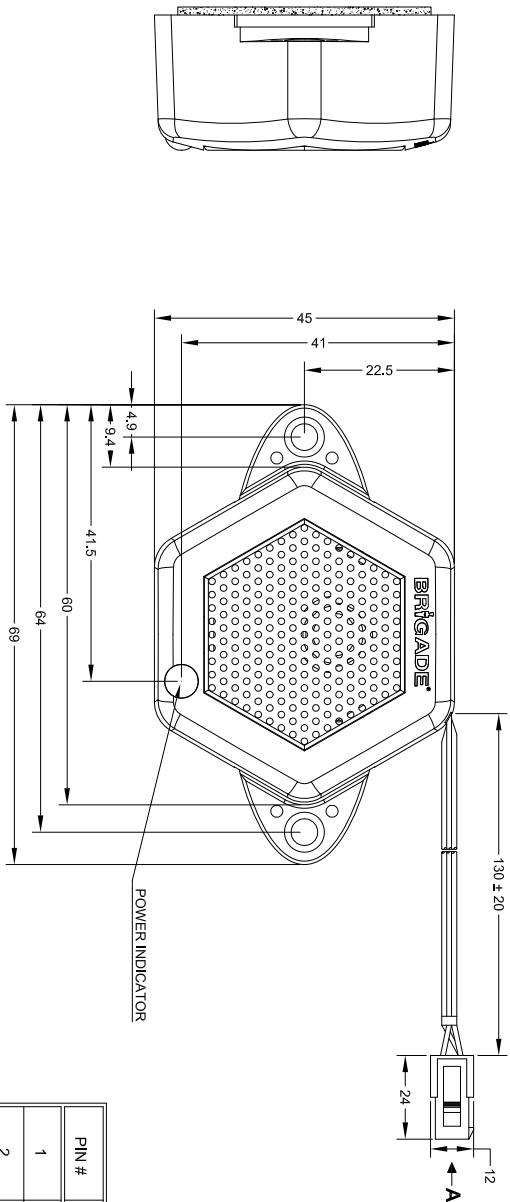
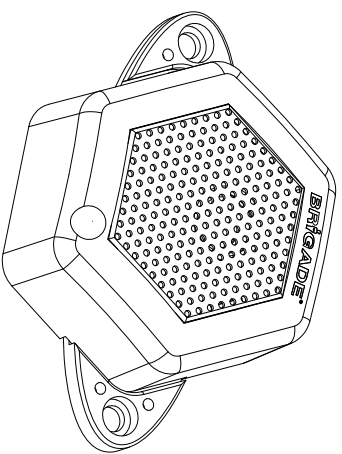
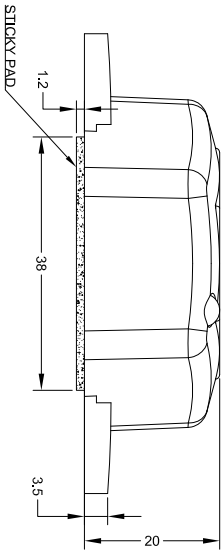


Rev/No	Revision note	Date	Signature	Checked
1	BUZZER CABLE AND CONNECTOR CHANGED TO 3 WIRE 4 PIN CONNECTOR.	18/05/10	SM	MB



MATING FACE

PIN #	WIRE COLOUR	DESCRIPTION
1	BLUE	BUZZER GND
2	RED	+8VDC
3	BLACK	LED GND
4	NO CONNECTION	NO CONNECTION

FEATURE	SPECIFICATION
WORKING VOLTAGE	DC 8 V
OPERATING VOLTAGE	DC 7.5 V ~ 8.5 V
OPERATING CURRENT	< 100mA
OPERATING TEMPERATURE	-20 C ~ 70 C
STORAGE TEMPERATURE	-30 C ~ 80 C
BUZZER TEMPERATURE	90 ~ 105dB @ 0.10m
BUZZER LOUDNESS	3.8±1KHZ
BUZZER FREQUENCY	3.8±1KHZ
BUZZER CABLE	UL2468 - 22 AWG (17 x 0.16mm)

NOTES:
 DIMENSIONS IN MM
 POWER INDICATOR LED ON WHEN SYSTEM ACTIVE
 FINISH: BLACK
 MATERIAL: ABS PLASTIC
 SOUNDER TYPE: PIEZO 90-105dB

PROPRIETARY NOTICE
 THIS DESIGN AND TECHNICAL INFORMATION APPEARING ON THIS DRAWING IS THE PROPERTY OF BRIGADE ELECTRONICS PLC, AND IS DISCLOSED IN CONFIDENCE. IT IS NOT TO BE COPIED, REPRODUCED, REVEALED TO OR APPROPRIATE BY OTHERS, EITHER IN WHOLE OR IN PART WITHOUT THE EXPRESS WRITTEN CONSENT OF BRIGADE ELECTRONICS PLC.

ASSEMBLY PLANT REF: TBD

Item#	Quantity	Title/Name, designation, material, dimension etc	Article No./Reference
Designed by MJB/TLR	Checked by RCH/DS	Approved by SM/TM/RS	Date 15/07/2009
BRIGADE ELECTRONICS		Filename BS-010BZ (#3214A)	Scale N/A
		Part No. BE-000850-01-09	Edition A
			Sheet 1/1